

(1) SMR Code	(2) Federal Stock Number	(3) DESCRIPTION	(4) UNIT	(5) Qty	(6) 30-day DS maint	(7) 30-day GS maint	(8) 1-yr	(9) Depot	(10) Illustration	of inc. allowance	allowance	alw maint	per alw	(a) (b) (c)	(a) (b) (c)	equip	100	Figure	(a) (b)	(b) Item No.	
Reference Number & Mfr. Code	Usable On Code				(a)	(b)	(c)	(a)	(b)	(c)	gcy										
0801-POWER TRANSFER AND FINAL DRIVE ASSEMBLIES-CONTINUED																					
P-F	2520-176-8384	COVER,SHIFT CYLINDER: 8758298 (19207)	A	EA	1	*	*	*	*	*	*	3	5	55	14						
P-F	5310-145-2085	WASHER,KEY: CYLINDER SHIFT COVER 8327009 (19207)	A	EA	4	*	*	*	*	*	*	6	10	55	15						
P-F	5305-071-2231	SCREW CAP HEXAGON: CYLINDER SHIFT COVER MS90725-20 (96906)	A	EA	4	*	*	*	*	*	*	6	10	55	16						
X1		NUT,PLAIN: SHAFT 503356 (21450)	A		1									55	17						
X1		WASHER: SHAFT 446212 (31007)	A		1									55	18						
P-F	5330-286-6815	SEAL PLAIN ENCASED: HIGH AND LOW RANGE SHIFTER SHAFT 500021 (21450)	A	EA	1	*	*	*	*	*	*	10	100	55	19						
P-F	2520-591-5827	SHAFT, GEAR SHIFT FORK: 7998650 (19207)	A	EA	1	*	*	*	*	*	*	8	10	55	20						
X2-F		BALL,DETENT: GEAR SHIFT FORK SHAFT 104291 (21450)	A	EA	1	*	*	*	*	*	*			55	21						
P-F	5315-276-7703	PIN,STRAIGHT,HEADED: HIGH AND LOW RANGE SHIFTER SHAFT, DETENT BALL 5143782 (19207)	A	EA	1	*	*	*	*	*	*	6	10	55	22						
P-F	2520-692-6085	SPRING,HELICAL COMPRESSION: HIGH AND LOW RANGE SHIFTER SHAFT DETENT BALL 7521387 (19207)	A	EA	1	*	*	*	*	*	*	6	10	55	23						
P-F	5305-695-7174	SETScrew: TRANSFER INPUT AND OUTPUT SHIFTER SHAFTS 7521390 (19207)	A	EA	1	*	*	*	*	*	*	6	10	55	24						
P-F	2520-953-9908	SHIFTER,FORK: HIGH AND LOW RANGE 7748586 (19207)	A	EA	1	*	*	*	*	*	*	8	10	55	25						
P-F	5305-752-1391	SETScrew: TRANSFER INPUT AND OUTPUT SHIFTER SHAFTS 7521391 (19207)	A	EA	1	*	*	*	*	*	*	6	10	55	26						
P-F	5315-059-0184	PIN,COTTER: SHAFT MS24665-361 (96906)	A	EA	1	*	*	*	*	*	*	8	10	56	1						
P-F	5310-492-9631	NUT,SLOTTED,HEXAGON: 5143813 (76040)	A	EA	1	*	*	*	*	*	*	6	10	56	2						
P-F	5310-188-4195	WASHER,FLAT: OUTPUT, SHAFT 15235 (76894)	A	EA	1	*	*	*	*	*	*	6	10	56	3						

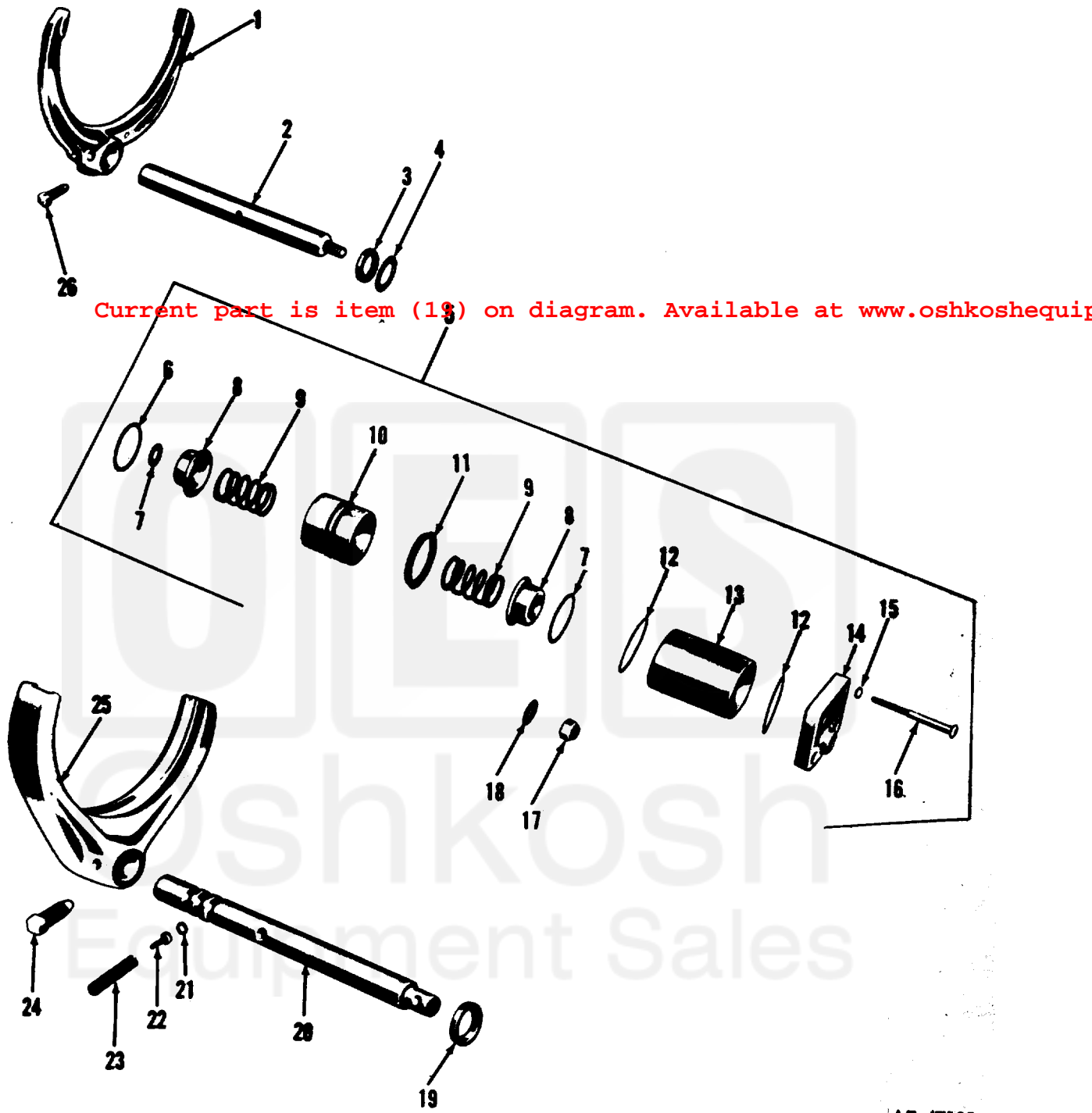


Figure 55. Input and output shifter shafts.

AT 47195